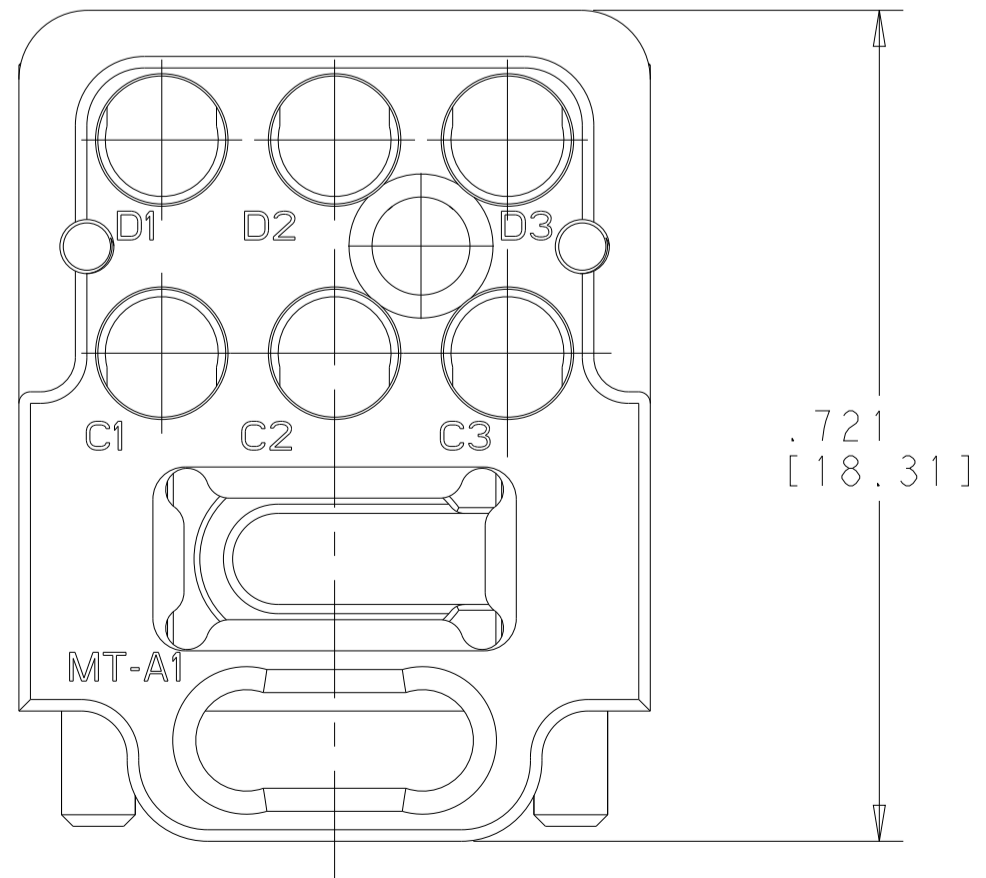
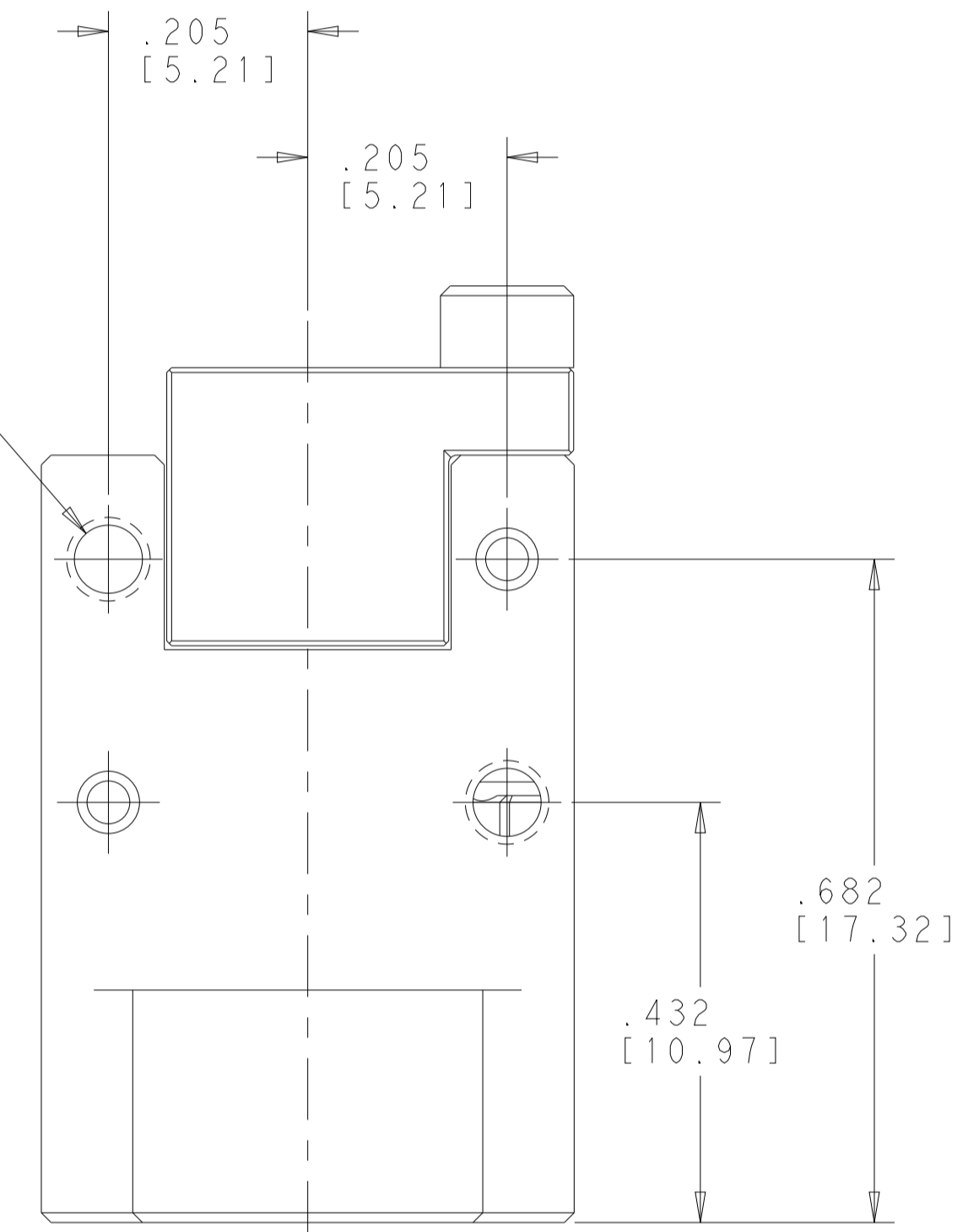
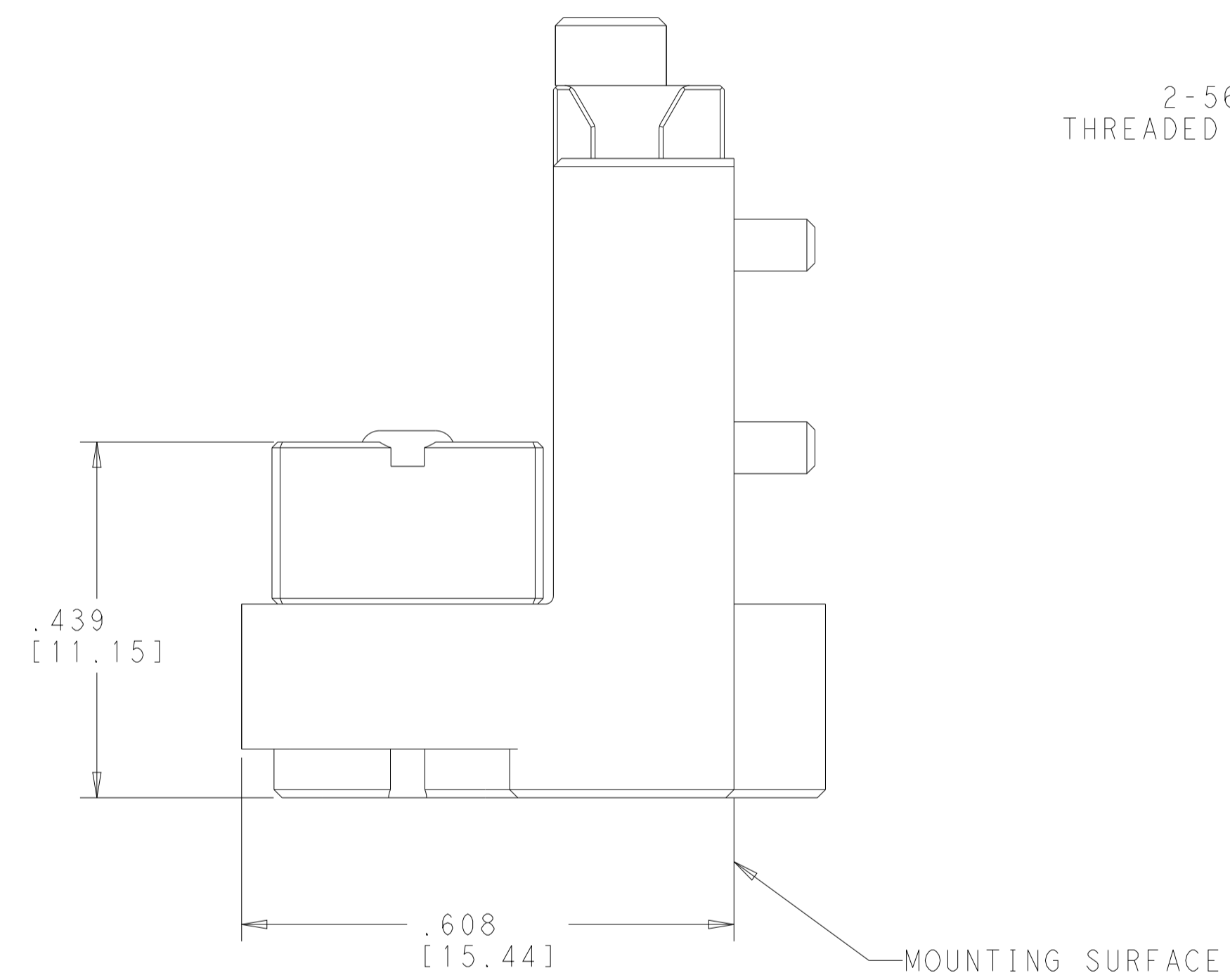
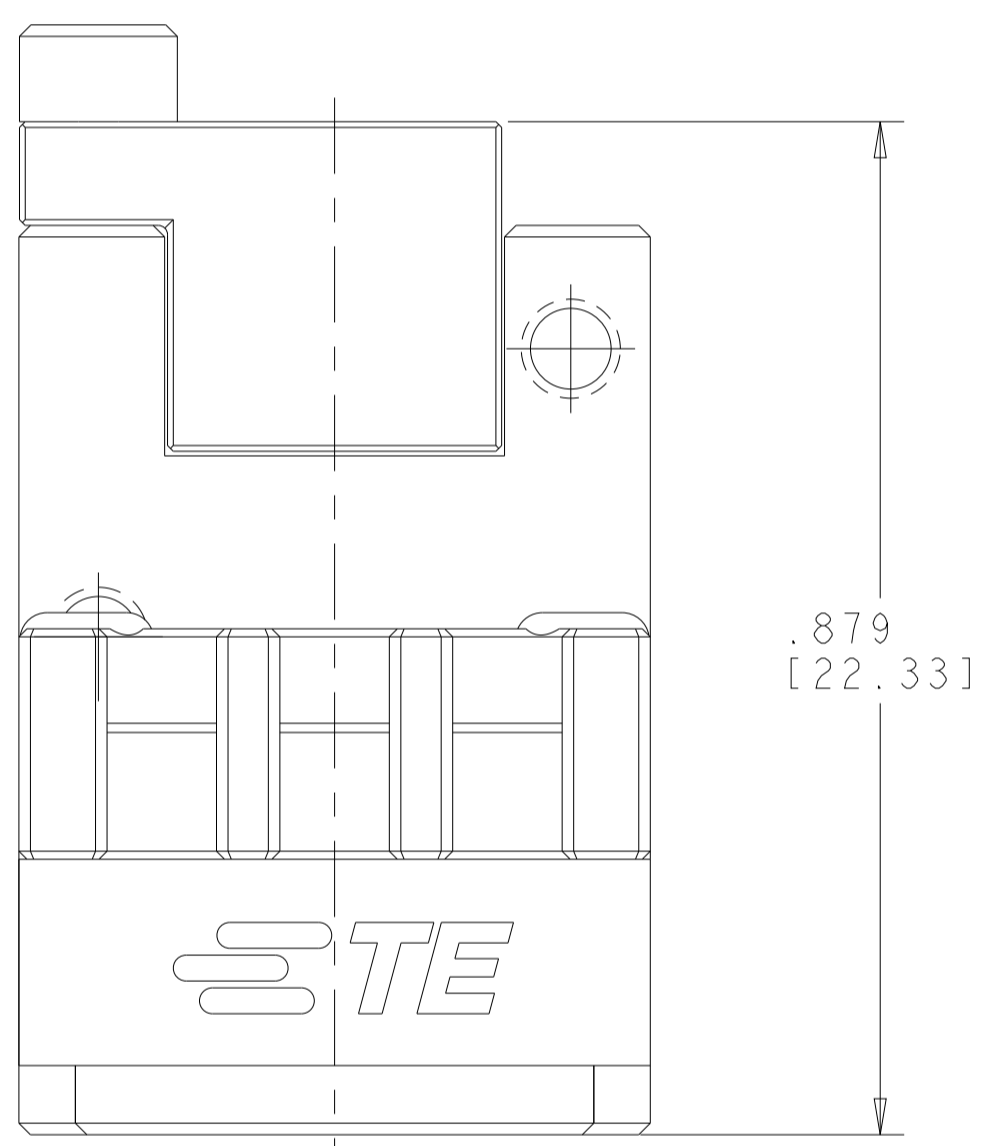
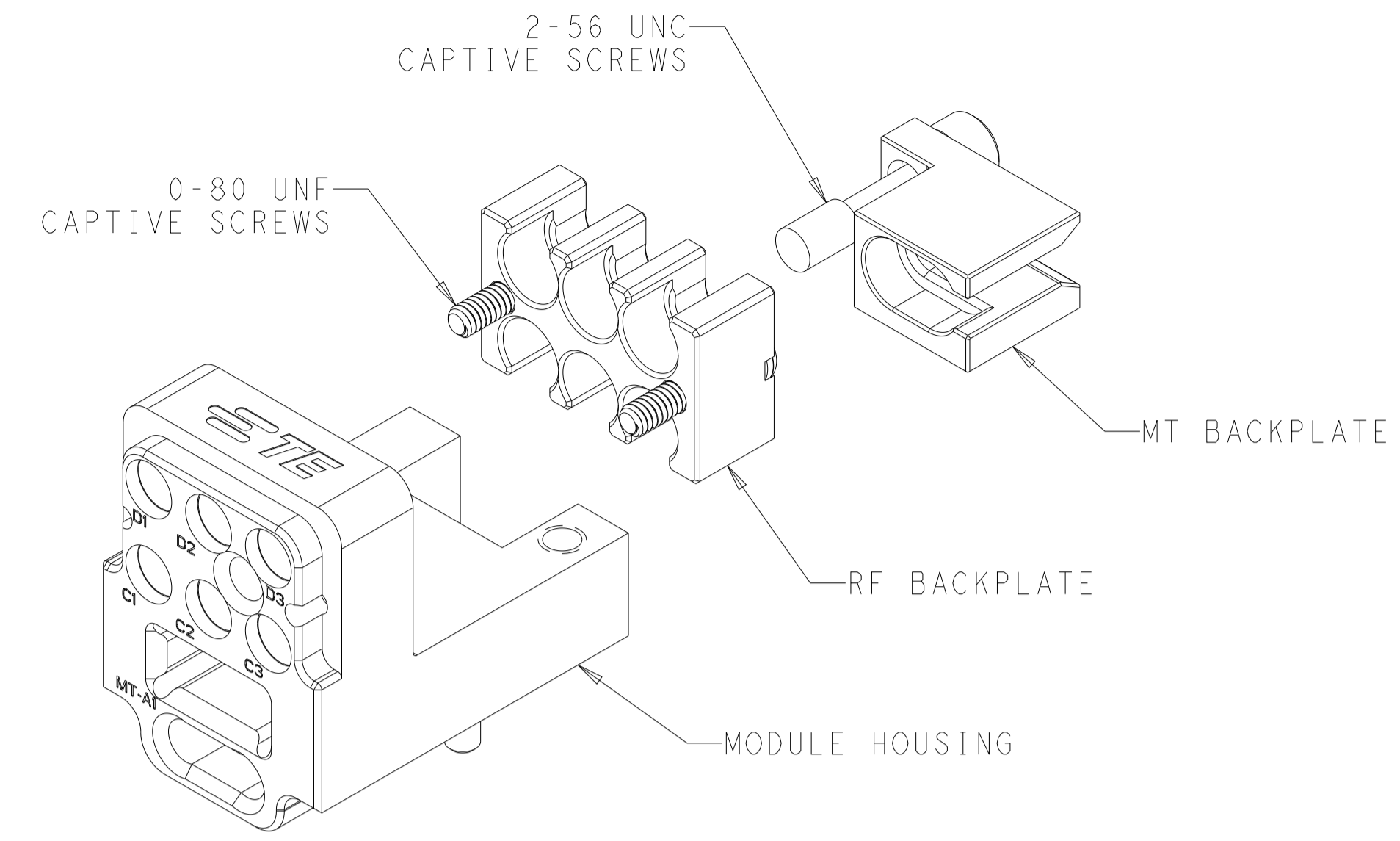
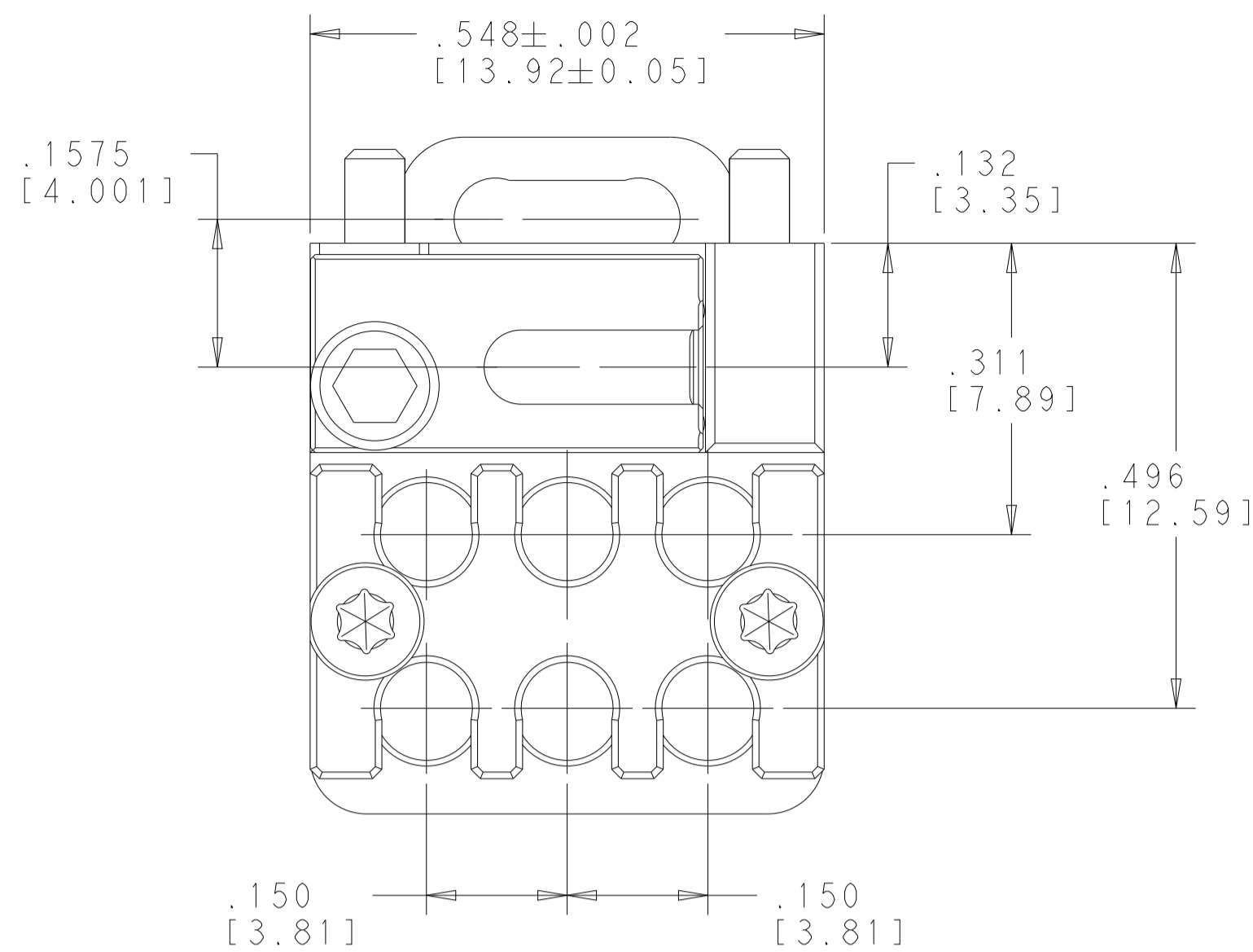


REVISIONS				
P	LTN	DESCRIPTION	DATE	APVD
A		RELEASED PER ECN-23-233339	02OCT2023	LS FB



- △ MATERIAL:
MODULE HOUSING AND BACKPLATES - ALUMINUM ALLOY
SCREW - 300 SERIES STAINLESS STEEL
- △ FINISH:
MODULE HOUSING AND BACKPLATES - CLEAR CHROMATE CONVERSION COATING
SCREW - PASSIVATED
- 3. SHIPPED IN KIT FORM. BACKPLATE SCREWS TO BE ASSEMBLED TO BACKPLATES.
- △ CIRCUIT IDENTIFICATION MARKING
- 5. DESIGNED TO BE USED WITH NanoRF CONTACTS 2401219-1 AND MT FERRULE KIT 2355002-1 (12 FIBER) OR 2355002-2 (24 FIBER).
- △ PRODUCT SPEC:
NanoRF: 108-163037
MT FIBER OPTIC: 108-163029
- △ APPLICATION SPEC:
NanoRF: 408-163038
MT FIBER OPTIC: 114-163023

2402888-1
PART NO

THIS DRAWING IS A CONTROLLED DOCUMENT.		DWN: L.SIPE 01FEB2022	
DIMENSIONS: [INCHES(mm)]		CHK: K.DOLL 16AUG2022	
TOLERANCES UNLESS OTHERWISE SPECIFIED:		APVD: -	NAME: NanoRF MODULE, DAUGHTERCARD, F/O, CABLED VERSION PLUS 6 POSITION .087 CABLE, VITA
0 PLC ±		PRODUCT SPEC: 6	SIZE: CAGE CODE DRAWING NO: RESTRICTED TO
1 PLC ±		APPLICATION SPEC: 7	WEIGHT: -
2 PLC ±			MATERIAL: -
3 PLC ±.005(0.13)			FINISH: -
4 PLC ±			CUSTOMER DRAWING
ANGLES ±			SCALE: 6:1 SHEET 1 OF 1 REV A